

18mm

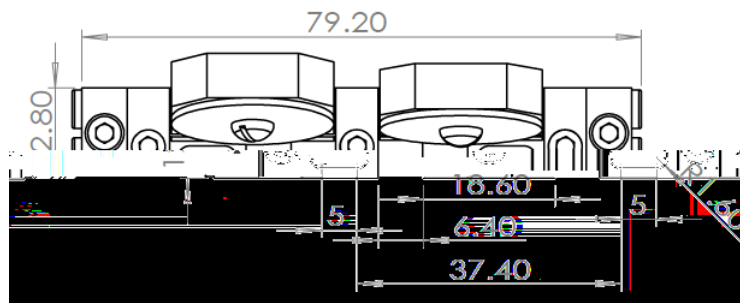
27mm 56mm

Ø900 μm

FC/PC FC/APC

@18mm

		MCFPC180	MCFPC181	MCFPC182	MCFPC183	MCFPC184	MCFPC185
	mm	18					
	mm	79.2(L)X12.8(W)					
			460-HP	630-HP	780-HP	1060-XP	SMF-28e
	nm	N/A	450-600	600-770	780-970	980-1600	1260-1650
	nm	N/A	488	633	780	1060	1550
	um	N/A	3.5±0.5um @515nm	4.0±0.5um @630nm	5.0±0.5um @850nm	6.2±0.5um @1060nm	9.7±0.5um @1550nm
	N/A	N/A	0.13	0.13	0.13	0.14	0.14
		N/A	900um				
		N/A	3-2	3-1	4-1	2-4	1-2
	M	N/A	2.5				
		N/A	FC/APC				
	dB	N/A	0.1				



MCFPC185

18mm

SMF-28e,

2.5 ,900um

, FC/APC