

1310nm

/

PBS/PBC

PBS/PBC



	nm	1310
	nm	± 40
	dB	0.3
	dB	0.5
	dB	22
	dB	50
	dB	50
CW	W	5 10 20 30
	KW	10
	-	Ports 1&2: PM1300; Port 3: SMF-28e or PM1300
	m	1
	-	
	N	5
	mm	14x12x8
		-5 +70
		-40 +85

25

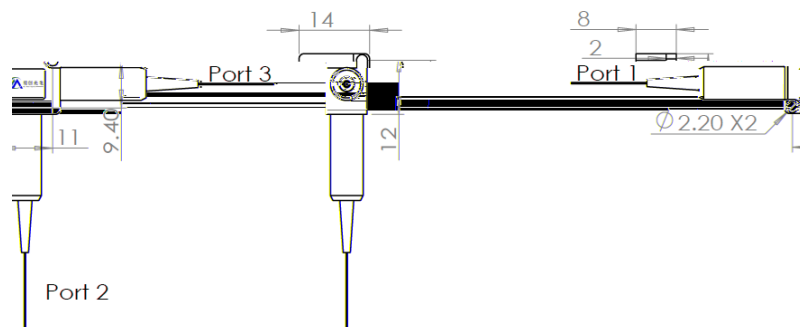
0.6dB,

5dB,

2dB,

Key

1W



MCHPB S/C			Port1&2	Port3			
	1310-1310nm	5-5W 10-10W S-	P13-PM1300	S2-SMF-28e P135-PM1300	45		