

2000nm

2
3
1
2
1
2

3
1
2

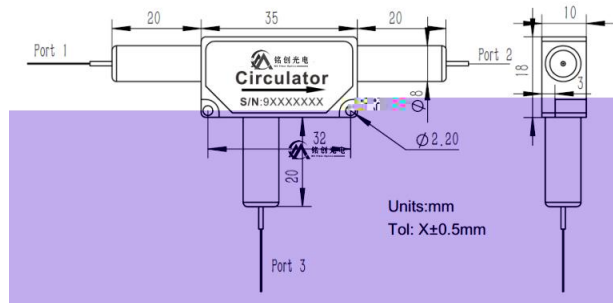


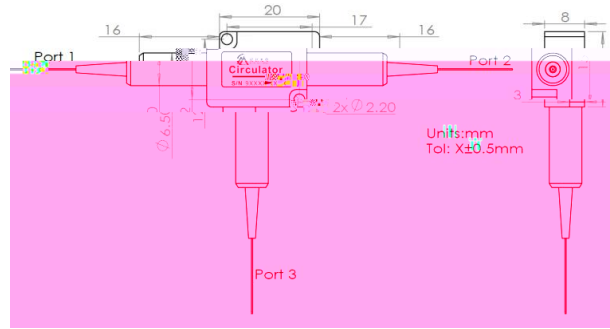
/

/

	nm	1950/2000/2050
	nm	± 30
Type	dB	20
(min)	dB	16
Type	dB	1.3
(max)	dB	1.5
min	dB	18(Type B), 20(Type F)
	W	10, 15
	KW	1.5 10 20
	-	or
min	dB	50
min	dB	45
	-	PM1950, PMGDF-10/130-2000-M PLMA-GDF-25/250-09M
	mm	5.5xL35or 20x15x8or 35x18x10
		-5 +50
		-40 +85

25





	1950- 1950nm	5- 5W	P-	0-	B-	P15- PM 550	08- 0. 8m	B- 250um
	2000- 2000nm	10- 10W	C-	10- 10KW	S-	P10/130/15D- PLMA	10- 1. 0m	L- 900um
	2050- 2050nm	15- 15W		20- 20KW	F-	- GDF- 10/130- 15M	15- 1. 5m	S-

MCHPCI R- 2000- 10- P- 10- F- P10/130/15D- 10- L- N

2000nm

10W

10KW

PLMA- GDF- 10/130- 15M

1 , 900um ,